



DIN rail, Type 2 / Class II multi-purpose SPD with anti-vibration pluggable module for use in TN single-phase system at boundaries from LPZ 0_B-1 and higher.

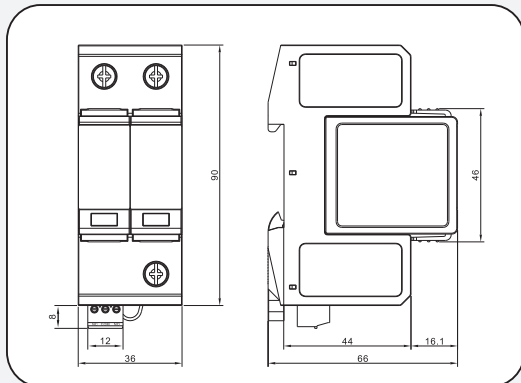
Features

- Non-destructive screening technology for MOV
- Reliable thermo disconnect device
- High discharge capacity
- Consisting of a base part and pluggable modules
- Easy replacing and anti-vibration due to module releasing and locking system
- Multifunctional terminals for connecting conductors and busbars
- Visual and remote status indication

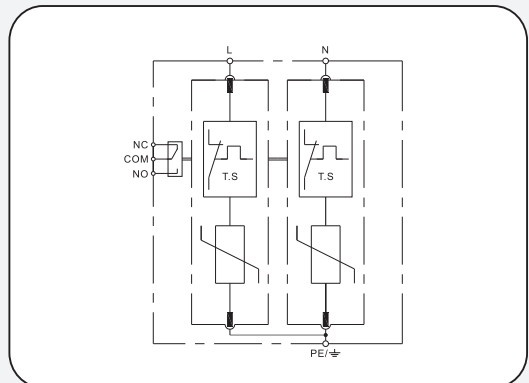
Approval

TUV, CE, RoHS, UL 94V-0

Dimension drawing



Circuit diagram

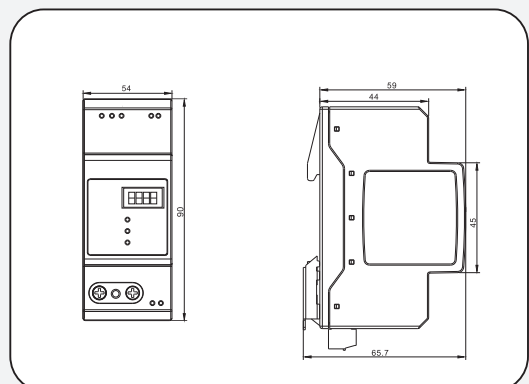


Monitoring module

Function: degradation monitoring
lightning monitoring
system communication



Dimension drawing



name	type	page
------	------	------

SPD monitoring module	LCS1-11	84
-----------------------	---------	----

Type	S275AC-2+0	S275AC-2+0-S
Part No.	92 20 55	92 20 56
Electrical		
SPD according to IEC 61643-1/11		Class II
SPD according to EN 61643-11		Type 2
SPD according to GB 18802.1		Class II
Number of ports		1
Technology		MOV
Nominal Voltage (U_n)		230 / 400 Vac
Max. continuous operating voltage (U_c)		275 Vac
Nominal discharge current (8/20 μ s) (I_n)		20 kA
Max. discharge current (8/20 μ s) (I_{max})		40 kA
Voltage protection level (U_p)		1.3 kA
Voltage protection level for 5kA (U_p)		1.0 kV
Response time (t_a)		≤ 25 ns
Max. overcurrent protection		≤ 125 AgL / gG
Short circuit withstand capability (I_{scw})		25 kA _{ms}
Temporary overvoltage (TOV) (U_T)		337V / 5 s
TOV characteristic		Withstand
Mechanical		
Method of mounting		35 mm DIN rail
Enclosure dimensions (HxWxD)	90 mm \times 36 mm \times 66 mm	+ 90 mm \times 54 mm \times 66 mm
Cross-sectional area (max.)		25 mm ² stranded / flexible
Cross-sectional area (min.)		1.5 mm ² stranded / flexible
Stripping length terminals		10 mm
Torque contacts		3 N*m
Indication		
Operating status/fault indication		Green / red
Type of remote signaling contact		Changeover contact
Switching capacity		125 Vac / 1 A, 125 Vdc / 0.2 A
Cross-sectional area for remote signaling terminals (max.)		1.5 mm ²
Stripping length for remote signaling terminals		7 mm
Torque contacts for indication terminals		0.2 N*m
Environmental		
Location category		Indoor only
Operation temperature range (T_o)		-40°C ... +70°C
Relative humidity		$\leq 95\%$
Operation altitude		≤ 4 km
Degree of protection		IP 20
Enclosure material		Thermoplastic, UL 94V-0
Monitoring		
Communication mode	--	RS485/ZIGBEE
Monitoring approach	--	Remote signaling of SPD, Action time of lightning, Air-switch
Action current of lightning time	--	current of lightning ≥ 3 kA
Reset	--	software