



DIN rail, Type 3 / Class III multi-purpose SPD with anti-vibration pluggable module for use in TT or TN single-phase system at boundaries from LPZ 0<sub>B</sub>-1 and higher.

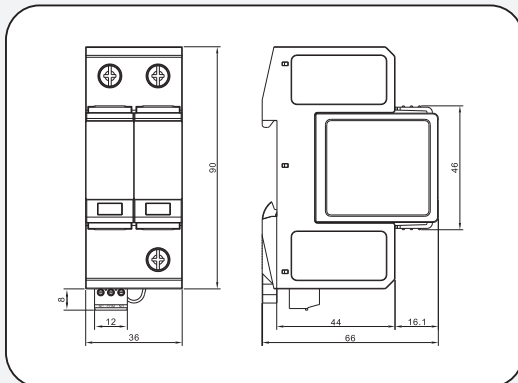
**Features**

- Non-destructive screening technology for MOV
- Reliable thermo disconnect device
- High discharge capacity
- Consisting of a base part and pluggable modules
- Easy replacing and anti-vibration due to module releasing and locking system
- Multifunctional terminals for connecting conductors and busbars
- Visual and remote status indication

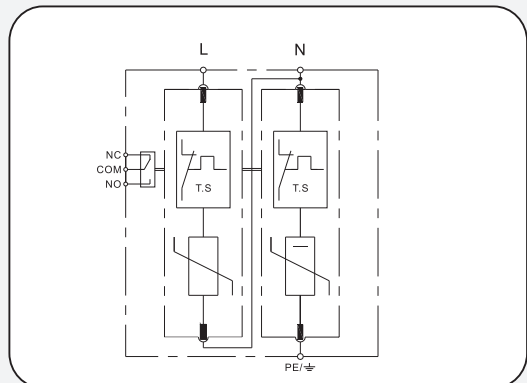
**Approval**

TUV、CE、RoHS、UL 94V-0

**Dimension drawing**



**Circuit diagram**

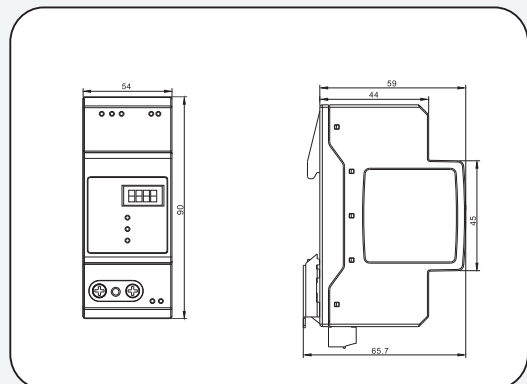


**Monitoring module**

Function: degradation monitoring  
lightning monitoring  
system communication



**Dimension drawing**



name	type	page
------	------	------

SPD monitoring module	LCS1-11	84
-----------------------	---------	----

Type	T150AC-1+1	T150AC-1+1-S
Part No.	93 11 20	93 11 21
<b>Electrical</b>		
SPD according to IEC 61643-1/11		Class III
SPD according to EN 61643-11		Type 3
SPD according to GB 18802.1		Class III
Number of ports		1
Technology		MOV
Max. continuous operating voltage (U <sub>c</sub> )		150Vac
Nominal discharge current (8/20 μs) (I <sub>n</sub> )		3 kA
Combined impulse (UOC)		6 kV
Voltage protection level (U <sub>p</sub> )		0.55kV
Response time (t <sub>a</sub> )		≤ 25 ns
Max. overcurrent protection		≤ 25 AgL / gG
Short circuit withstand capability		6 kA <sub>ms</sub>
Temporary overvoltage (TOV) (U <sub>T</sub> )		--
TOV characteristic		--
<b>Mechanical</b>		
Method of mounting		35 mm DIN rail
Enclosure dimensions (HxWxD)	90 mm × 36 mm × 66 mm	+ 90 mm × 54 mm × 66 mm
Cross-sectional area (max.)		25 mm <sup>2</sup> stranded / flexible
Cross-sectional area (min.)		1.5 mm <sup>2</sup> stranded / flexible
Stripping length terminals		10 mm
Torque contacts		3 N*m
<b>Indication</b>		
Operating status/fault indication		Green / red
Type of remote signaling contact		Changeover contact
Switching capacity		125 Vac / 1 A, 125 Vdc / 0.2 A
Cross-sectional area for remote signaling terminals (max.)		1.5 mm <sup>2</sup>
Stripping length for remote signaling terminals		7 mm
Torque contacts for indication terminals		0.2 N*m
<b>Environmental</b>		
Location category		Indoor only
Operation temperature range (T <sub>o</sub> )		-40°C ... +70°C
Relative humidity		≤ 95%
Operation altitude		≤ 4 km
Degree of protection		IP 20
Enclosure material		Thermoplastic, UL 94V-0
<b>Monitoring</b>		
Communication mode	--	RS485/ZIGBEE
Monitoring approach	--	Remote signaling of SPD, Action time of lightning, Air-switch
Action current of lightning time	--	current of lightning ≥ 3kA
Reset	--	software