



Features

- Product with four ion generating system
- Lightning point more accurately
- Maintenance-free
- No external power supply
- When lightning is formed only self-activation
- Fully active early discharge

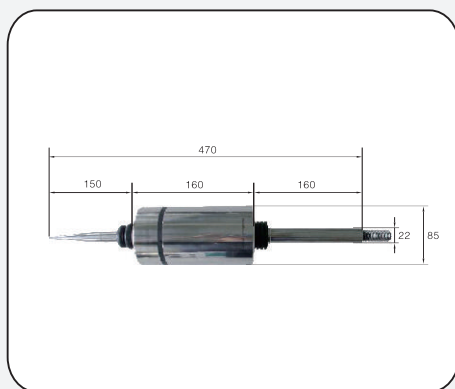
Approval

Comply with UL,NFPA780,LPI-175

Working principle

Thundercloud strong electric field in the atmosphere is formed by lightning power source, and the lightning rod of the way is the use of these ion-generating energy, it does not need an external power supply. When Thundercloud charge accumulation, will produce between thunderclouds and the earth a great field, prior to the formation of lightning can reach KV / M level, GRP Supporting TDP-II products with internal ion generator, will form a high-voltage pulse , a large amount of charged ions in the vicinity of the atmosphere, ions generated four systems under the action of the lightning field moving up very rapidly, insulation distance between thunderclouds and lightning rod is shortened, so compared to other objects located in lightning protection zone , lightning advance release up leading the charge. This leading the charge and then leading the charge down binding, and the best trigger lightning rod lightning.

Dimension drawing



Type	GRP Supporting TDP-II
Part No.	96 30 10
Lightning rod	
Height	1500mm
Length (Air terminals)	470mm
Length (Strut)	1000mm
Diameter	22mm
Materials	Stainless steel/316
Early discharge time (Δt)	43us
Test standard	EN 50164-(1+2)
Packing unit	1 pc(s)